

## Solid-state relay module - PLC-OPT- 48DC/230AC/1 - 2900370

Please be informed that the data shown in this PDF Document is generated from our Online Catalog. Please find the complete data in the user's documentation. Our General Terms of Use for Downloads are valid (<http://phoenixcontact.com/download>)




PLC-INTERFACE, consisting of PLC-BPT.../21 basic terminal block with push-in connection and plug-in miniature solid-state relay, for mounting on DIN rail NS 35/7,5, 1 N/O contact, input: 48 V DC, output: 24 - 253 V AC/0.75 A

### Your advantages

- ✓ Slim design
- ✓ Efficient connection to system cabling using V8 adapter
- ✓ RT III sealed solid-state relay
- ✓ Integrated input circuit
- ✓ Functional plug-in bridges
- ✓ Zero voltage switch at AC output
- ✓ High switching power



### Key Commercial Data

|                                      |   |
|--------------------------------------|---|
| Packing unit                         | 1 pc  |
| GTIN                                 | <br>4 046356 508810 |
| GTIN                                 | 4046356508810   |
| Weight per Piece (excluding packing) | 31.270 g  |
| Custom tariff number                 | 85364190  |
| Country of origin                    | Germany   |

### Technical data

#### Note

|                         |   |
|-------------------------|---|
| Utilization restriction | EMC: class A product, see manufacturer's declaration in the download area |
|-------------------------|---|

### Dimensions

## Solid-state relay module - PLC-OPT- 48DC/230AC/1 - 2900370

### Technical data

#### Dimensions

|        |        |
|--------|--------|
| Width  | 6.2 mm |
| Height | 80 mm  |
| Depth  | 94 mm  |

#### Ambient conditions

|   |                  |
|---|------------------|
| Ambient temperature (operation)         | -25 °C ... 60 °C |
| Ambient temperature (storage/transport) | -25 °C ... 70 °C |

#### Input data

|  |                             |
|--|-----------------------------|
| Nominal input voltage $U_N$                          | 48 V DC                     |
| Input voltage range in reference to $U_N$            | 0.8 ... 1.2                 |
| Input voltage range                                  | 38.4 V DC ... 57.6 V DC     |
| Switching threshold "0" signal in reference to $U_N$ | $\leq 0.25$                 |
| Switching threshold "1" signal in reference to $U_N$ | $\geq 0.8$                  |
| Typical input current at $U_N$                       | 9 mA                        |
| Typical response time                                | 10 ms (at $U_N$ )           |
| Typical turn-off time                                | 10 ms (at $U_N$ )           |
| Operating voltage display                            | Yellow LED                  |
| Type of protection                                   | Reverse polarity protection |
|  | Free-wheeling diode         |
| Protective circuit/component                         | Polarity protection diode   |
|  | Damping diode               |
| Transmission frequency                               | 10 Hz                       |
| Power dissipation for nominal condition              | 0.43 W                      |

#### Output data

|  |                             |
|--|-----------------------------|
| Output voltage range                             | 24 V AC ... 253 V AC        |
| Limiting continuous current                      | 0.75 A (see derating curve) |
| Maximum inrush current                           | 30 A (10 ms)                |
| Min. load current                                | 10 mA                       |
| Leakage current                                  | < 1 mA (in off state)       |
| Max. load value                                  | 4.5 A <sup>2</sup> s        |
| Voltage drop at max. limiting continuous current | < 1 V                       |
| Output circuit                                   | 2-conductor, floating       |
| Type of protection                               | RCV circuit                 |

#### General

|                   |                                      |
|-------------------|--------------------------------------|
| Test voltage      | 2.5 kV (50 Hz, 1 min., input/output) |
| Mounting position | any                                  |

# Solid-state relay module - PLC-OPT- 48DC/230AC/1 - 2900370

## Technical data

### General

|  |                           |
|--|---------------------------|
| Assembly instructions                  | in rows with zero spacing |
| Operating mode                         | 100% operating factor     |
| Flammability rating according to UL 94 | V0 (Housing)              |

### Connection data

|                                  |  |
|----------------------------------|--|
| Connection name                  | Input side                                   |
| Connection method                | Push-in connection                           |
| Stripping length                 | 8 mm   |
| Conductor cross section solid    | 0.14 mm <sup>2</sup> ... 2.5 mm <sup>2</sup> |
| Conductor cross section flexible | 0.14 mm <sup>2</sup> ... 2.5 mm <sup>2</sup> |
| Conductor cross section AWG      | 26 ... 14                                    |

### Connection data 2

|                                  |  |
|----------------------------------|--|
| Connection name                  | Output side                                  |
| Connection method                | Push-in connection                           |
| Stripping length                 | 8 mm   |
| Conductor cross section solid    | 0.14 mm <sup>2</sup> ... 2.5 mm <sup>2</sup> |
| Conductor cross section flexible | 0.14 mm <sup>2</sup> ... 2.5 mm <sup>2</sup> |
| Conductor cross section AWG      | 26 ... 14                                    |

### Standards and Regulations

|                                  |                       |
|----------------------------------|-----------------------|
| Connection in acc. with standard | CUL                   |
| Designation                      | Standards/regulations |
| Standards/regulations            | IEC 60664             |
|                                  | IEC 60664A            |
|                                  | DIN VDE 0110          |
| Insulation                       | Basic insulation      |
| Pollution degree                 | 2                     |
| Overvoltage category             | III                   |

### Conformance/approvals

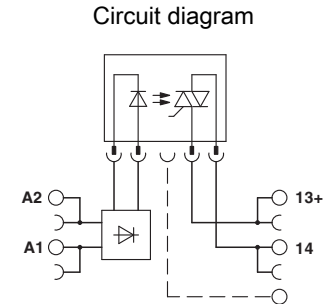
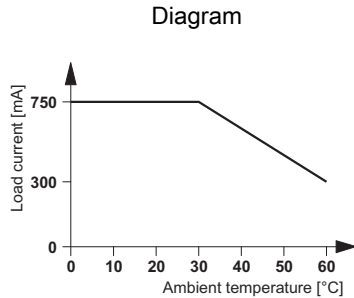
|                |                            |
|----------------|----------------------------|
| Designation    | Corrosive gas test         |
| Identification | ISA-S71.04. G3 Harsh Group |
|                | EN 60068-2-60              |

### Environmental Product Compliance

|            |   |
|------------|---|
| REACH SVHC | Lead 7439-92-1  |
| China RoHS | Environmentally Friendly Use Period = 50 years  |
|            | For details about hazardous substances go to tab "Downloads", Category "Manufacturer's declaration" |

# Solid-state relay module - PLC-OPT- 48DC/230AC/1 - 2900370

## Drawings



## Classifications

### eCl@ss

|               |          |
|---------------|----------|
| eCl@ss 10.0.1 | 27371604 |
| eCl@ss 11.0   | 27371604 |
| eCl@ss 4.0    | 27371100 |
| eCl@ss 4.1    | 27371100 |
| eCl@ss 5.0    | 27371000 |
| eCl@ss 5.1    | 27371000 |
| eCl@ss 6.0    | 27371600 |
| eCl@ss 7.0    | 27371604 |
| eCl@ss 9.0    | 27371604 |

### ETIM

|          |          |
|----------|----------|
| ETIM 2.0 | EC001504 |
| ETIM 3.0 | EC001504 |
| ETIM 4.0 | EC001504 |
| ETIM 6.0 | EC001504 |
| ETIM 7.0 | EC001504 |

### UNSPSC

|               |          |
|---------------|----------|
| UNSPSC 6.01   | 30211916 |
| UNSPSC 7.0901 | 39121542 |
| UNSPSC 11     | 39121542 |
| UNSPSC 12.01  | 39121542 |
| UNSPSC 13.2   | 39122326 |
| UNSPSC 18.0   | 39122326 |
| UNSPSC 19.0   | 39122326 |
| UNSPSC 20.0   | 39122326 |
| UNSPSC 21.0   | 39122326 |

# Solid-state relay module - PLC-OPT- 48DC/230AC/1 - 2900370

## Approvals

### Approvals

---

#### Approvals

DNV GL / UL Listed / UL Recognized / cUL Recognized / cUL Listed / EAC / EAC / cULus Recognized / cULus Listed

---

#### Ex Approvals

---

### Approval details

|                |  |   |                         |
|----------------|--|---|-------------------------|
| DNV GL         |  | <a href="https://approvalfinder.dnvgl.com/">https://approvalfinder.dnvgl.com/</a>   | TAE0000196-03           |
| UL Listed      |  | <a href="http://database.ul.com/cgi-bin/XYV/template/LISEXT/1FRAME/index.htm">http://database.ul.com/cgi-bin/XYV/template/LISEXT/1FRAME/index.htm</a> | FILE E 172140           |
| UL Recognized  |  | <a href="http://database.ul.com/cgi-bin/XYV/template/LISEXT/1FRAME/index.htm">http://database.ul.com/cgi-bin/XYV/template/LISEXT/1FRAME/index.htm</a> | FILE E 238705           |
| cUL Recognized |  | <a href="http://database.ul.com/cgi-bin/XYV/template/LISEXT/1FRAME/index.htm">http://database.ul.com/cgi-bin/XYV/template/LISEXT/1FRAME/index.htm</a> | FILE E 238705           |
| cUL Listed     |  | <a href="http://database.ul.com/cgi-bin/XYV/template/LISEXT/1FRAME/index.htm">http://database.ul.com/cgi-bin/XYV/template/LISEXT/1FRAME/index.htm</a> | FILE E 172140           |
| EAC            |  |   | TR_TS_D_00573_c         |
| EAC            |  |   | RU*C-<br>DE.*08.B.00010 |

## Solid-state relay module - PLC-OPT- 48DC/230AC/1 - 2900370

### Approvals

|                  |   |
|------------------|---|
| cULus Recognized |  |
|------------------|---|

|              |   |
|--------------|---|
| cULus Listed |  |
|--------------|---|

### Accessories

#### Accessories

#### Bridge

Continuous plug-in bridge - FBST 500-PLC RD - 2966786



Continuous plug-in bridge, length: 500 mm, color: red

Continuous plug-in bridge - FBST 500-PLC BU - 2966692



Continuous plug-in bridge, length: 500 mm, color: blue

Continuous plug-in bridge - FBST 500-PLC GY - 2966838



Continuous plug-in bridge, length: 500 mm, color: gray

## Solid-state relay module - PLC-OPT- 48DC/230AC/1 - 2900370

### Accessories

Single plug-in bridge - FBST 6-PLC RD - 2966236



Single plug-in bridge, length: 6 mm, number of positions: 2, color: red

---

Single plug-in bridge - FBST 6-PLC BU - 2966812



Single plug-in bridge, length: 6 mm, number of positions: 2, color: blue

---

Single plug-in bridge - FBST 6-PLC GY - 2966825



Single plug-in bridge, length: 6 mm, number of positions: 2, color: gray

---

Single plug-in bridge - FBST 8-PLC GY - 2967688



Single plug-in bridge, length: 8 mm, number of positions: 2, color: gray

---

### DIN rail

DIN rail perforated - NS 35/ 7,5 PERF 2000MM - 0801733



DIN rail perforated, Standard profile, width: 35 mm, height: 7.5 mm, acc. to EN 60715, material: Steel, galvanized, passivated with a thick layer, length: 2000 mm, color: silver

---

## Solid-state relay module - PLC-OPT- 48DC/230AC/1 - 2900370

### Accessories

DIN rail, unperforated - NS 35/ 7,5 UNPERF 2000MM - 0801681



DIN rail, unperforated, Standard profile, width: 35 mm, height: 7.5 mm, acc. to EN 60715, material: Steel, galvanized, passivated with a thick layer, length: 2000 mm, color: silver

DIN rail perforated - NS 35/ 7,5 WH PERF 2000MM - 1204119



DIN rail perforated, Standard profile, width: 35 mm, height: 7.5 mm, acc. to EN 60715, material: Steel, Galvanized, white passivated, length: 2000 mm, color: silver

DIN rail, unperforated - NS 35/ 7,5 WH UNPERF 2000MM - 1204122



DIN rail, unperforated, Standard profile, width: 35 mm, height: 7.5 mm, acc. to EN 60715, material: Steel, Galvanized, white passivated, length: 2000 mm, color: silver

DIN rail, unperforated - NS 35/ 7,5 AL UNPERF 2000MM - 0801704



DIN rail, unperforated, Standard profile, width: 35 mm, height: 7.5 mm, acc. to EN 60715, material: Aluminum, uncoated, length: 2000 mm, color: silver

DIN rail perforated - NS 35/ 7,5 ZN PERF 2000MM - 1206421



DIN rail perforated, Standard profile, width: 35 mm, height: 7.5 mm, acc. to EN 60715, material: Steel, galvanized, length: 2000 mm, color: silver

## Solid-state relay module - PLC-OPT- 48DC/230AC/1 - 2900370

### Accessories

DIN rail, unperforated - NS 35/ 7,5 ZN UNPERF 2000MM - 1206434



DIN rail, unperforated, Standard profile, width: 35 mm, height: 7.5 mm, acc. to EN 60715, material: Steel, galvanized, length: 2000 mm, color: silver

---

DIN rail, unperforated - NS 35/ 7,5 CU UNPERF 2000MM - 0801762



DIN rail, unperforated, Standard profile, width: 35 mm, height: 7.5 mm, acc. to EN 60715, material: Copper, uncoated, length: 2000 mm, color: copper-colored

---

End cap - NS 35/ 7,5 CAP - 1206560



DIN rail end piece, for DIN rail NS 35/7.5

---

DIN rail perforated - NS 35/15 PERF 2000MM - 1201730



DIN rail perforated, Standard profile, width: 35 mm, height: 15 mm, similar to EN 60715, material: Steel, galvanized, passivated with a thick layer, length: 2000 mm, color: silver

---

DIN rail, unperforated - NS 35/15 UNPERF 2000MM - 1201714



DIN rail, unperforated, Standard profile, width: 35 mm, height: 15 mm, similar to EN 60715, material: Steel, galvanized, passivated with a thick layer, length: 2000 mm, color: silver

---

## Solid-state relay module - PLC-OPT- 48DC/230AC/1 - 2900370

### Accessories

DIN rail perforated - NS 35/15 WH PERF 2000MM - 0806602



DIN rail perforated, Standard profile, width: 35 mm, height: 15 mm, similar to EN 60715, material: Steel, Galvanized, white passivated, length: 2000 mm, color: silver

---

DIN rail, unperforated - NS 35/15 WH UNPERF 2000MM - 1204135



DIN rail, unperforated, Standard profile, width: 35 mm, height: 15 mm, similar to EN 60715, material: Steel, Galvanized, white passivated, length: 2000 mm, color: silver

---

DIN rail, unperforated - NS 35/15 AL UNPERF 2000MM - 1201756



DIN rail, unperforated, Standard profile, width: 35 mm, height: 15 mm, similar to EN 60715, material: Aluminum, uncoated, length: 2000 mm, color: silver

---

DIN rail perforated - NS 35/15 ZN PERF 2000MM - 1206599



DIN rail perforated, Standard profile, width: 35 mm, height: 15 mm, similar to EN 60715, material: Steel, galvanized, length: 2000 mm, color: silver

---

DIN rail, unperforated - NS 35/15 ZN UNPERF 2000MM - 1206586



DIN rail, unperforated, Standard profile, width: 35 mm, height: 15 mm, similar to EN 60715, material: Steel, galvanized, length: 2000 mm, color: silver

---

## Solid-state relay module - PLC-OPT- 48DC/230AC/1 - 2900370

### Accessories

DIN rail, unperforated - NS 35/15 CU UNPERF 2000MM - 1201895



DIN rail, unperforated, Standard profile, width: 35 mm, height: 15 mm, similar to EN 60715, material: Copper, uncoated, length: 2000 mm, color: copper-colored

End cap - NS 35/15 CAP - 1206573



DIN rail end piece, for DIN rail NS 35/15

DIN rail, unperforated - NS 35/15-2,3 UNPERF 2000MM - 1201798



DIN rail, unperforated, Standard profile 2.3 mm, width: 35 mm, height: 15 mm, acc. to EN 60715, material: Steel, galvanized, passivated with a thick layer, length: 2000 mm, color: silver

### Labeled terminal marker

Zack marker strip - ZB 6 CUS - 0824992



Zack marker strip, can be ordered: Strip, white, labeled according to customer specifications, mounting type: snap into tall marker groove, for terminal block width: 6.2 mm, lettering field size: 6.15 x 10.5 mm, Number of individual labels: 10

Zack marker strip - ZB 6,LGS:FORTL.ZAHLEN - 1051016



Zack marker strip, Strip, white, labeled, can be labeled with: CMS-P1-PLOTTER, printed horizontally: consecutive numbers 1 ... 10, 11 ... 20, etc. up to 491 ... 500, mounting type: snap into tall marker groove, for terminal block width: 6.2 mm, lettering field size: 6.15 x 10.5 mm, Number of individual labels: 10

## Solid-state relay module - PLC-OPT- 48DC/230AC/1 - 2900370

### Accessories

#### Zack marker strip - ZB 6,QR:FORTL.ZAHLEN - 1051029



Zack marker strip, Strip, white, labeled, can be labeled with: CMS-P1-PLOTTER, Printed vertically: consecutive numbers 1 ... 10, 11 ... 20, etc. up to 491 ... 500, mounting type: snap into tall marker groove, for terminal block width: 6.2 mm, lettering field size: 6.15 x 10.5 mm, Number of individual labels: 10

#### Zack marker strip - ZB 6,LGS:GLEICHE ZAHLEN - 1051032



Zack marker strip, Strip, white, labeled, can be labeled with: CMS-P1-PLOTTER, printed horizontally: Identical numbers 1 or 2, etc. up to 100, mounting type: snap into tall marker groove, for terminal block width: 6.2 mm, lettering field size: 6.15 x 10.5 mm, Number of individual labels: 10

#### Marker for terminal blocks - ZB 6,LGS:L1-N,PE - 1051414



Marker for terminal blocks, Strip, white, labeled, can be labeled with: CMS-P1-PLOTTER, horizontal: L1, L2, L3, N, PE, L1, L2, L3, N, PE, mounting type: snap into tall marker groove, for terminal block width: 6.2 mm, lettering field size: 6.15 x 10.5 mm, Number of individual labels: 10

#### Marker for terminal blocks - ZB 6,LGS:U-N - 1051430



Marker for terminal blocks, Strip, white, labeled, can be labeled with: CMS-P1-PLOTTER, printed horizontally: U, V, W, N, GND, U, V, W, N, GND, mounting type: snap into tall marker groove, for terminal block width: 6.2 mm, lettering field size: 6.15 x 10.5 mm, Number of individual labels: 10

#### Marker for terminal blocks - UC-TM 6 CUS - 0824589



Marker for terminal blocks, can be ordered: by sheet, white, labeled according to customer specifications, mounting type: snap into tall marker groove, for terminal block width: 6.2 mm, lettering field size: 5.6 x 10.5 mm, Number of individual labels: 80

## Solid-state relay module - PLC-OPT- 48DC/230AC/1 - 2900370

### Accessories

Marker for terminal blocks - UCT-TM 6 CUS - 0829602



Marker for terminal blocks, can be ordered: by sheet, white, labeled according to customer specifications, mounting type: snap into tall marker groove, for terminal block width: 6.2 mm, lettering field size: 5.6 x 10.5 mm, Number of individual labels: 60

---

### Partition plate

Separating plate - PLC-ATP BK - 2966841



Separating plate, 2 mm thick, required at the start and end of a PLC terminal strip. Furthermore, it is used for: visual separation of groups, safe isolation of different voltages of neighboring PLC relays in acc. with DIN VDE 0106-101, isolation

---

### Power module

Power terminal block - PLC-ESK GY - 2966508



Power terminal block, for the input of up to four potentials, for mounting on NS 35/7.5

---

### Screwdriver tools

Screwdriver - SZF 1-0,6X3,5 - 1204517



Actuation tool, for ST terminal blocks, also suitable for use as a bladed screwdriver, size: 0.6 x 3.5 x 100 mm, 2-component grip, with non-slip grip

---

### Terminal marking

## Solid-state relay module - PLC-OPT- 48DC/230AC/1 - 2900370

### Accessories

#### Zack marker strip - ZB 6:UNBEDRUCKT - 1051003



Zack marker strip, Strip, white, unlabeled, can be labeled with: PLOTMARK, CMS-P1-PLOTTER, mounting type: snap into tall marker groove, for terminal block width: 6.2 mm, lettering field size: 6.15 x 10.5 mm, Number of individual labels: 10

#### Marker for terminal blocks - UC-TM 6 - 0818085



Marker for terminal blocks, Sheet, white, unlabeled, can be labeled with: BLUEMARK ID COLOR, BLUEMARK ID, BLUEMARK CLED, PLOTMARK, CMS-P1-PLOTTER, mounting type: snap into tall marker groove, for terminal block width: 6.2 mm, lettering field size: 5.6 x 10.5 mm, Number of individual labels: 70

#### Marker for terminal blocks - UCT-TM 6 - 0828736



Marker for terminal blocks, Sheet, white, unlabeled, can be labeled with: TOPMARK NEO, TOPMARK LASER, BLUEMARK ID COLOR, BLUEMARK ID, BLUEMARK CLED, THERMOMARK PRIME, THERMOMARK CARD 2.0, THERMOMARK CARD, mounting type: snap into tall marker groove, for terminal block width: 6.2 mm, lettering field size: 5.6 x 10.5 mm, Number of individual labels: 60

### Spare parts

#### Relay base - PLC-BPT- 48DC/21 - 2900447



6.2 mm PLC basic terminal block with Push-in connection, without relay or solid-state relay, for mounting on DIN rail NS 35/7,5, 1 changeover contact, input voltage 48 V DC

#### Miniature solid-state relay - OPT-24DC/230AC/ 1 - 2967950



Plug-in miniature solid-state relay, power solid-state relay, 1 N/O contact, input: 24 V DC, output: 24 - 253 V AC/0.75 A

